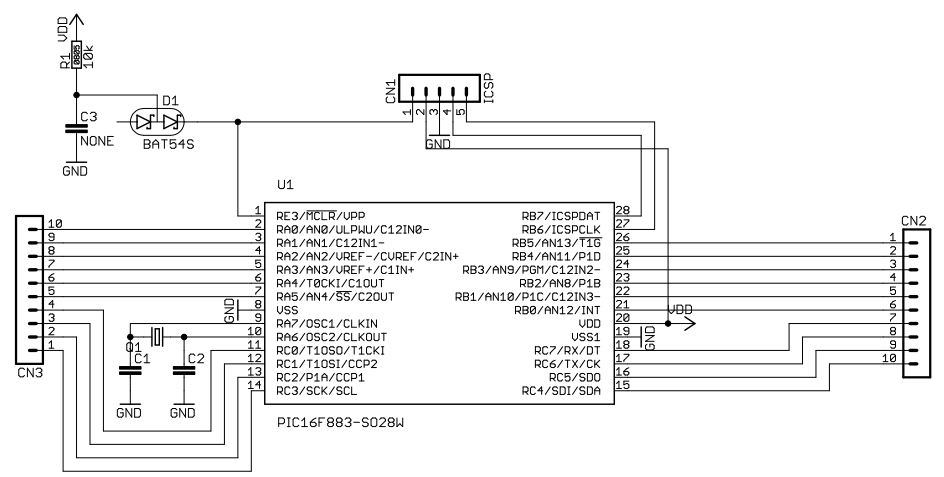


- H1 MOUNT-PAD-ROUND3.0
- H2 MOUNT-PAD-ROUND3.0
- H3 MOUNT-PAD-ROUND3.0
- H4 MOUNT-PAD-ROUND3.0



www.JumperOne.com
 by Phil Levchenko
 TITLE: pic_dev_board_v01
 Document Number: REV: 01
 Date: 10/3/2011 7:06:48 PM Sheet: 1/1

NOTE: RESISTORS ARE IN OHMS +/- 5% AND CAPACITORS ARE IN MICROFARADS UNLESS OTHERWISE NOTED.
 CAPACITORS C4,C5 IS ELECTROLYTIC, C8,C9 IS TANTALUM.